

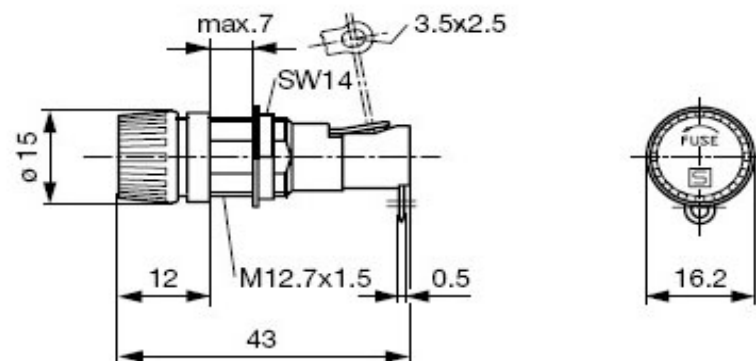
EDCON-COMPONENTS



Technical Description

Type:	Bajonett-Type
Insulation Resistance:	10m Ω Min 500VDC
Contact Resistance:	5mΩ @ 1A DC
Dielectric Strength:	AC 3000V for min. 60Sec.
Rated Current:	20A
Rated Voltage:	250VAC
Fuse Type/Size:	5x20mm / 6,3x32mm
Protection Degree:	IP40

Drawing (mm)



Approvals



Knop Type 1

Knop Type 2

Front Panel Fuse Holder

Part No.: **R54115**

Customer:

DRW:	Jason	CHKD	Wilson	MATL:	Wilson	TOLERANCE	Mason	DATE	24.05.2014
APPD:	Schumi			FINISH	Jamy		Sheet No.	1 from 2	

EDCON-COMPONENTS



Ordering Informations

Serie	Spezial Function	Knob Type	ROHS	Packing						
-------	------------------	-----------	------	---------	--	--	--	--	--	--

R54115	-	A	1	R	BU					
---------------	---	----------	----------	----------	-----------	--	--	--	--	--

A= 5x20mm Fuse	1= Knob Type 1	R= ROHS Conform	BU= Bulk-Ware
B= 6,3x32mm Fuse	2= Knob Type 2		

Front Panel Fuse Holder
Part No.: R54115
Customer:

DRW:	Jason	CHKD	Wilson	MATL:	Wilson	TOLERANCE	Mason	DATE	24.05.2014
APPD:	Schumi			FINISH	Jamy		Sheet No.	2 from 2	